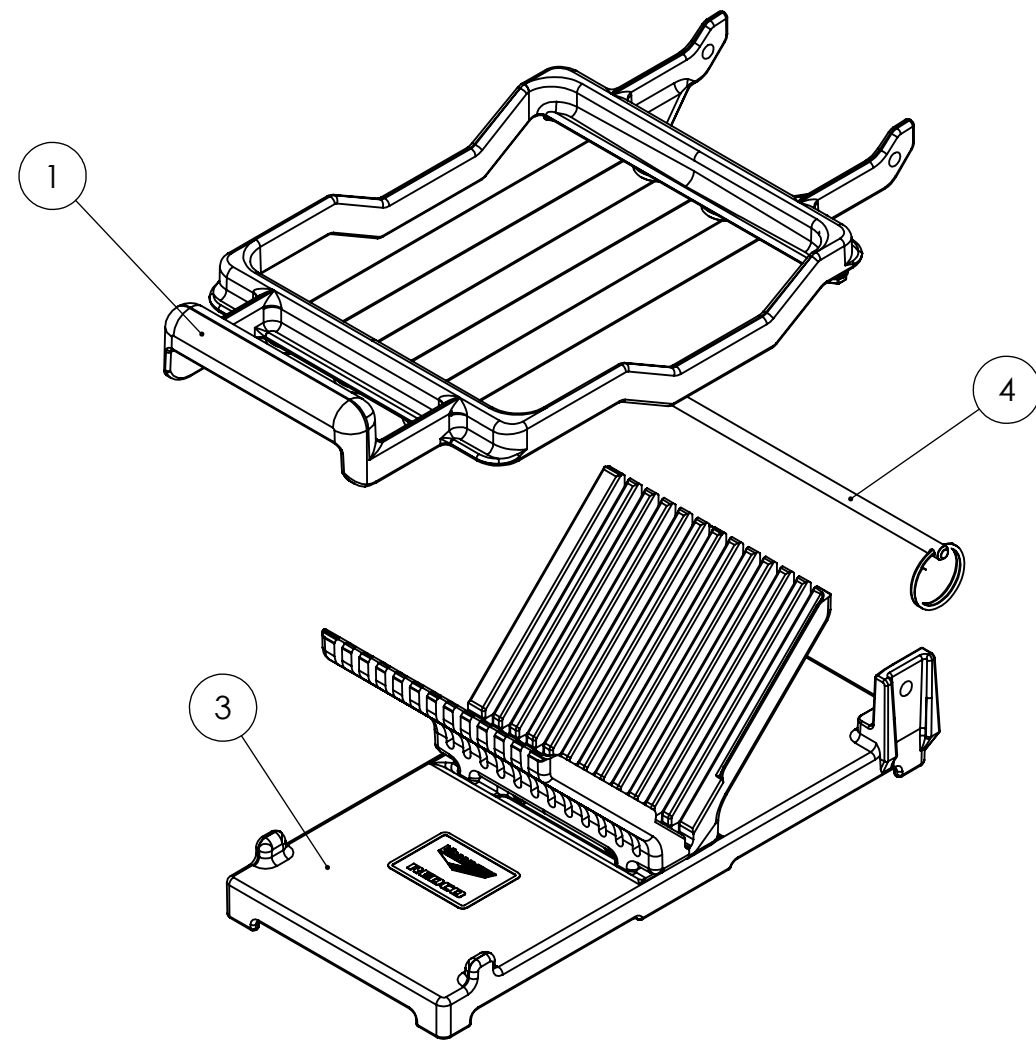


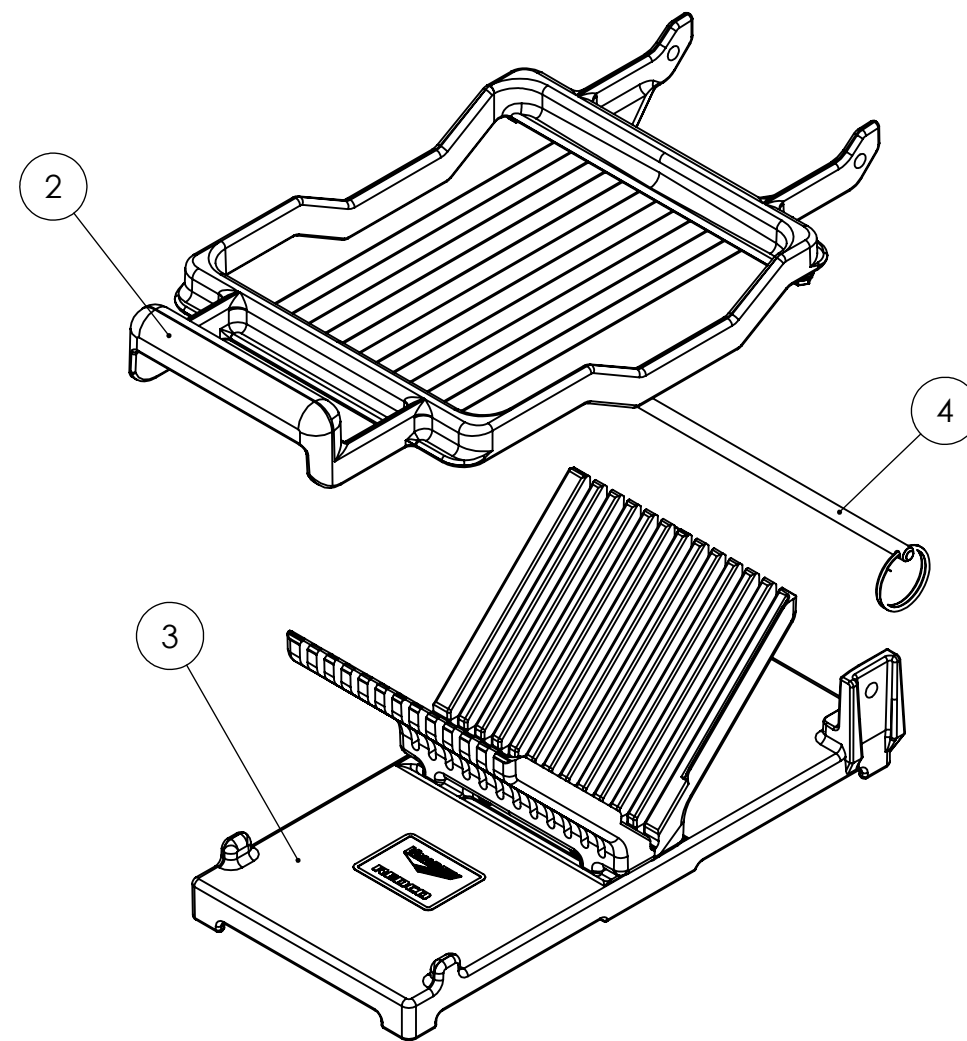


CUBE KING CHEESE SLICERS

ITEM NO.	PART NUMBER	DESCRIPTION	1811 QTY.	1812 QTY.
1	1817	CUTTING BOW ASSY 3/4	1	-
2	1818	CUTTING BOW ASSY 3/8	-	1
3	1819	FRAME AND SUPPORT ASSY	1	1
4	1820	PIVOT PIN ASSEMBLY	1	1
5	1823	WIRE KIT CUBE KING	1	1



1811 - CUBE KING I 3/4 CUT



1812 - CUBE KING II 3/8 CUT